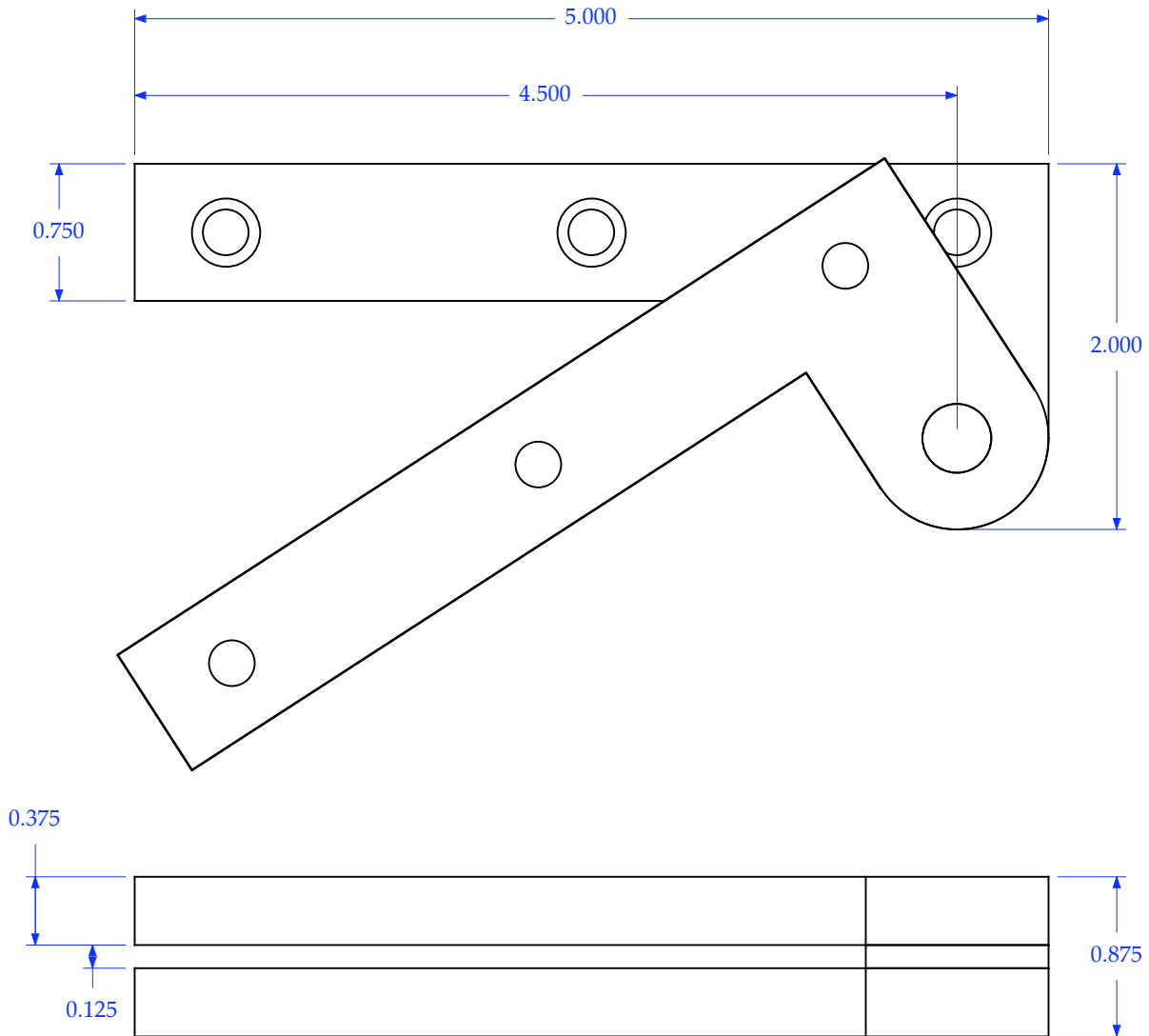


L-19



Do not scale drawing

Questions- Call before mortising 212-337-8510

BRUSSO [®] <i>Incorporated</i> PRECISION HARDWARE	© 1983-2003 Brusso Inc. 20 Vandam Street New York, NY 10013 212 337 8510 Fax 212 337 9840	Product: L-19 Offset Pivot Cabinet Hinge			Revision: 1.0
		Component: Template			File Name: L-19 OPH Rev 1.0
Tolerances unless otherwise specified: Machined features fraction +/- 1/64, Decimal .XXXX +/- .0005, .XXX +/- .005, Angular +/- 1 Degree, Hole Diameter +.003/- .002		Catalog Number: L-19	Drawn by: NL	Checked by: RH	Sheet: 1 of 1
		Scale: 1:1	Date: 03/05/07	Date: 03/05/07	