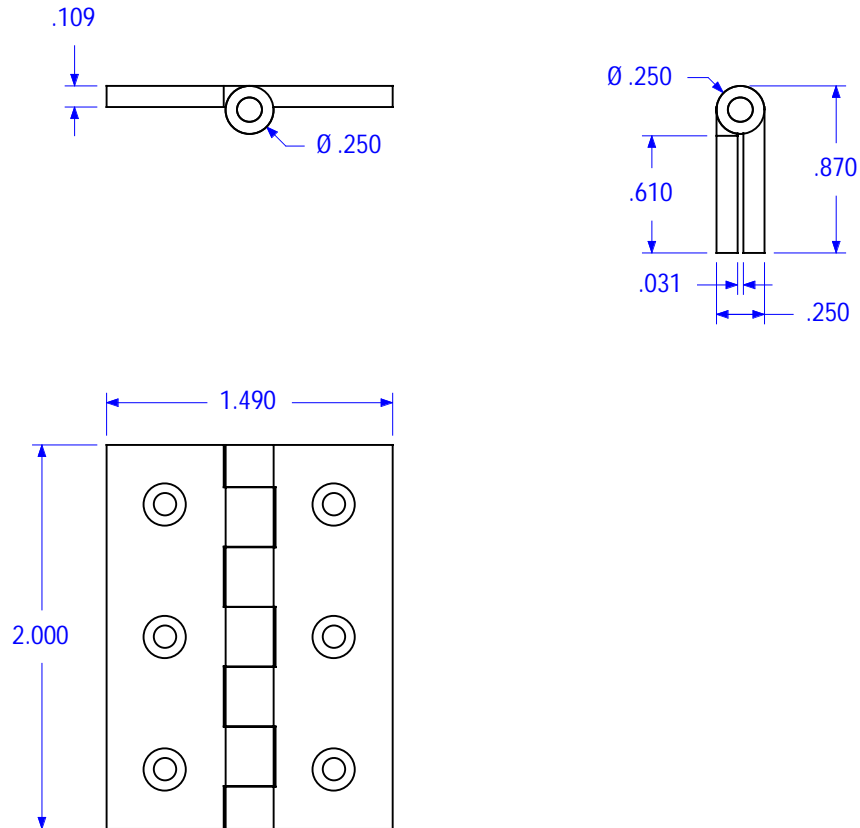


CB-407



Do not scale drawing

Questions- Call before mortising 212-337-8510

| | | | | |
|---|--|-------------------------------|----------------|---|
| BRUSSO ® <i>Incorporated</i> PRECISION HARDWARE | © 1983-2003 Brusso Inc. 20 Vandam Street New York, NY 10013 212 337 8510 Fax 212 337 9840 | Product: CB-407 Cabinet Hinge | | Revision: a |
| | | Component: Template | | File Name: CB-407 Cabinet Hinge -Rev a |
| Tolerances unless otherwise specified: Machined features fraction +/- 1/64, Decimal .XXXX +/- .0005, .XXX +/- .005, Angular +/- 1 Degree, Hole Diameter +.003/- .002 | | Catalog Number: CB-407 | Drawn by: JM | Checked by: AS |
| | | Scale: 1:1 | Date: 06/20/03 | Date: 06/25/03 |
| | | | | Sheet: 1 of 5 |