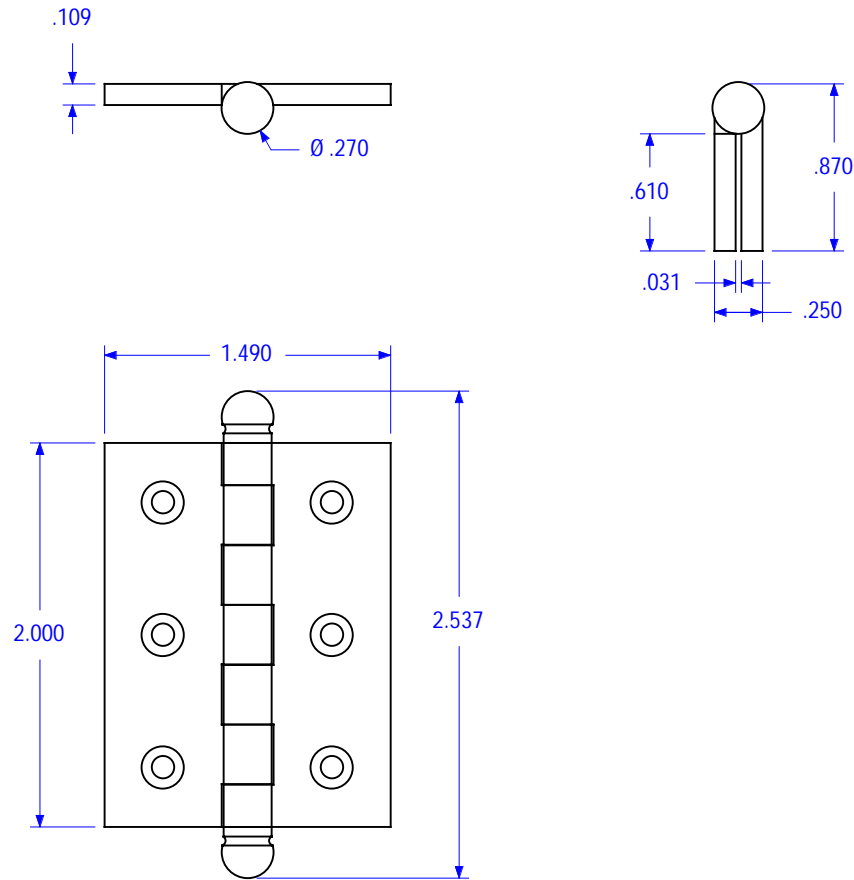


CB-407-B



Do not scale drawing

Questions- Call before mortising 212-337-8510

BRUSSO ® <i>Incorporated</i> PRECISION HARDWARE	© 1983-2003 Brusso Inc. 20 Vandam Street New York, NY 10013 212 337 8510 Fax 212 337 9840	Product: CB-407-B Cabinet Hinge		Revision: a
		Component: Template		File Name: CB-407-B Cabinet Hinge -Rev a
Tolerances unless otherwise specified: Machined features fraction $\pm 1/64$, Decimal .XXXX $\pm .0005$, .XXX $\pm .005$, Angular ± 1 Degree, Hole Diameter $\pm .003/-0.002$		Catalog Number: CB-407	Drawn by: JM	Checked by: AS
		Scale: 1:1	Date: 06/20/03	Date: 06/25/03
				Sheet: 1 of 6