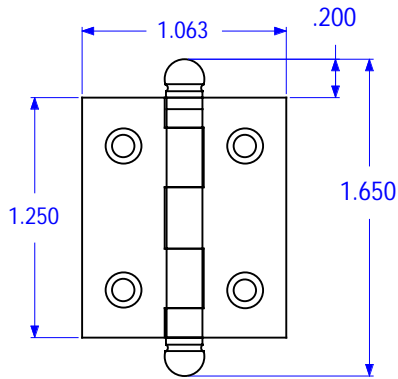
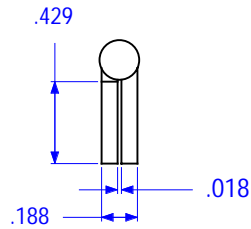
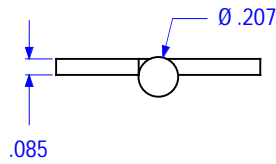


If any questions about mortising occur please call Brusso at 212-337-8510

CB-303-B



Do not scale drawing

Questions- Call before mortising 212-337-8510

| | | | | |
|---|--|---|----------------|--|
| BRUSSO ® <i>Incorporated</i> PRECISION HARDWARE | © 1983-2003 Brusso Inc. 20 Vandam Street New York, NY 10013 212 337 8510 Fax 212 337 9840 | Product: CB-303-B Cabinet Hinge with finial | | Revision: a |
| | | Component: Template | | File Name: CB-303-B Butt Hinge -Rev a |
| Tolerances unless otherwise specified: Machined features fraction $\pm 1/64$, Decimal $.XXXX \pm .0005$, $.XXX \pm .005$, Angular ± 1 Degree, Hole Diameter $\pm .003/-0.002$ | | Catalog Number: CB-303-B | Drawn by: JM | Checked by: AS |
| | | Scale: 1:1 | Date: 06/23/03 | Date: 08/09/03 |
| | | | | Sheet: 1 of 6 |