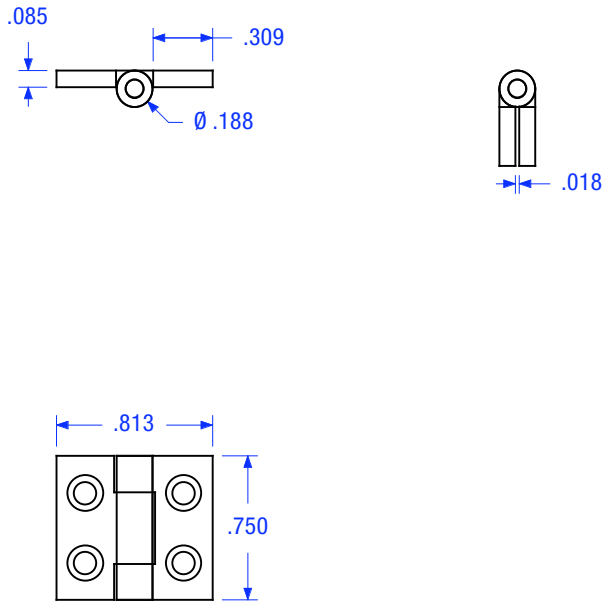


If any questions about mortising occur please call Brusso at 212-337-8510

CB-301



Do not scale drawing

Questions- Call before mortising 212-337-8510

BRUSSO ® <i>Incorporated</i> PRECISION HARDWARE	© 1983-2003 Brusso Inc. 20 Vandam Street New York, NY 10013 212 337 8510 Fax 212 337 9840	Product: CB-301 Cabinet Hinge			Revision: b
		Component: Template			File Name: CB-301 Cabinet Hinge -Rev b
Tolerances unless otherwise specified: Machined features fraction +/- 1/64, Decimal .XXXX +/- .0005, .XXX +/- .005, Angular +/- 1 Degree, Hole Diameter +.003/-0.02		Catalog Number: CB-301	Drawn by: JM	Checked by: AS	
		Scale: 1:1	Date: 06/20/03	Date: 08/08/03	Sheet: 1 of 5