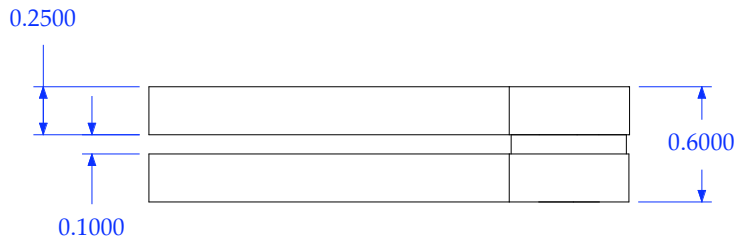
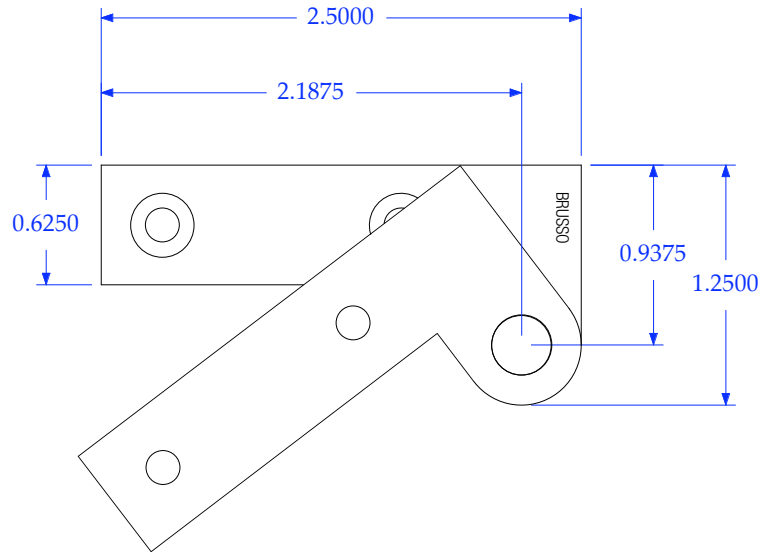


L-93



Do not scale drawing

Questions- Call before mortising 212-337-8510

BRUSSO ® <i>Incorporated</i> PRECISION HARDWARE	© 1983-2008 Brusso Inc. 20 Vandam Street New York, NY 10013 212 337 8510 Fax 212 337 9840	Product: L-93 Offset Pivot Cabinet Hinge			Revision: 1
		Component: Template			File Name: L-93 OPH -Rev 1
Tolerances unless otherwise specified: Machined features fraction +/- 1/64, Decimal .XXXX +/- .0005, .XXX +/- .005, Angular +/- 1 Degree, Hole Diameter +.003/- .002		Catalog Number: L-93	Drawn by: AI	Checked by: BF	
		Scale: 1:1	Date: 04/14/08	Date: 04/14/08	Sheet: 1 of 5